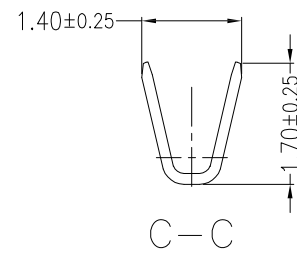
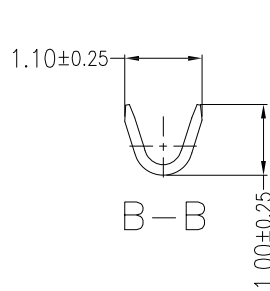
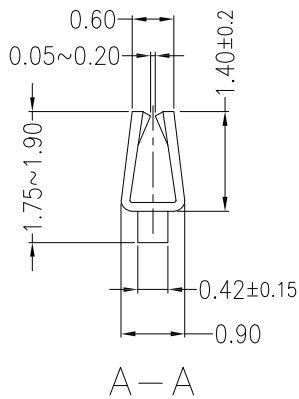
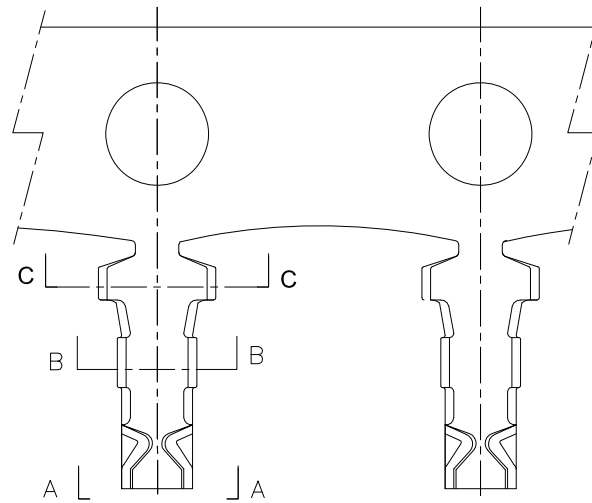
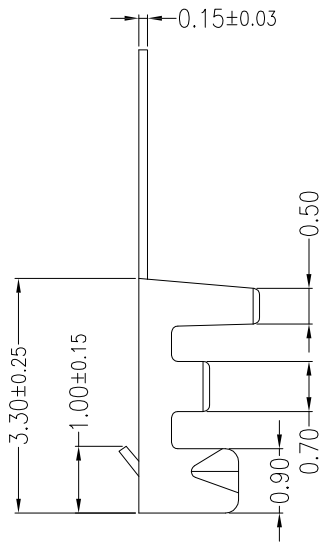


仅供参考

REV.	REVISION RECORD	DATE
A0	新图面发行	2017.06.16

Specifications:

Contact resistance: $\leq 20\text{m}\Omega$
 Insulation resistance: $\geq 100\text{M}\Omega$
 Rated voltage: 125V AC DC
 Rated current: 1.0A AC DC
 Withstand Voltage: 500V AC/minute
 Temperature Range: $-25^{\circ}\text{C} \sim +85^{\circ}\text{C}$



Wire Range	Insulation O. D.	Material	Finish	Qty/Reel
AWG #28~#32	1.00mm (max)	Phosphor bronze	Tin-plated	/

	GENERAL TOLERANCES		SCALE: 1:1	NAME	DATE	深圳市思拓展电子有限公司 SHENZHEN SINOTOP ELECTRONICS CO., LTD 公司网址: www.szstuo.cn 公司电话: 0755-23765350 邮 箱: 2850175982@qq.com 公司传真: 0755-23765341	PART. NO:	
	LINEAR	ANGLES	APPROVED				ST-WF-125-001T	
	0.0±0.30	X° REF±6°	DESIGNER				DWG. NO:	
	UNIT: MM	0.00±0.20	X° ±3°	DRAWN	肖坤权		2017.06.16	REV: A0 SHEET: 1/1
SIZE: A4	0.000±0.10	X° X'±2°	TITLE: 1.25mm PITCH TERMINAL					