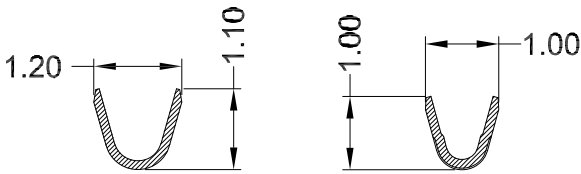
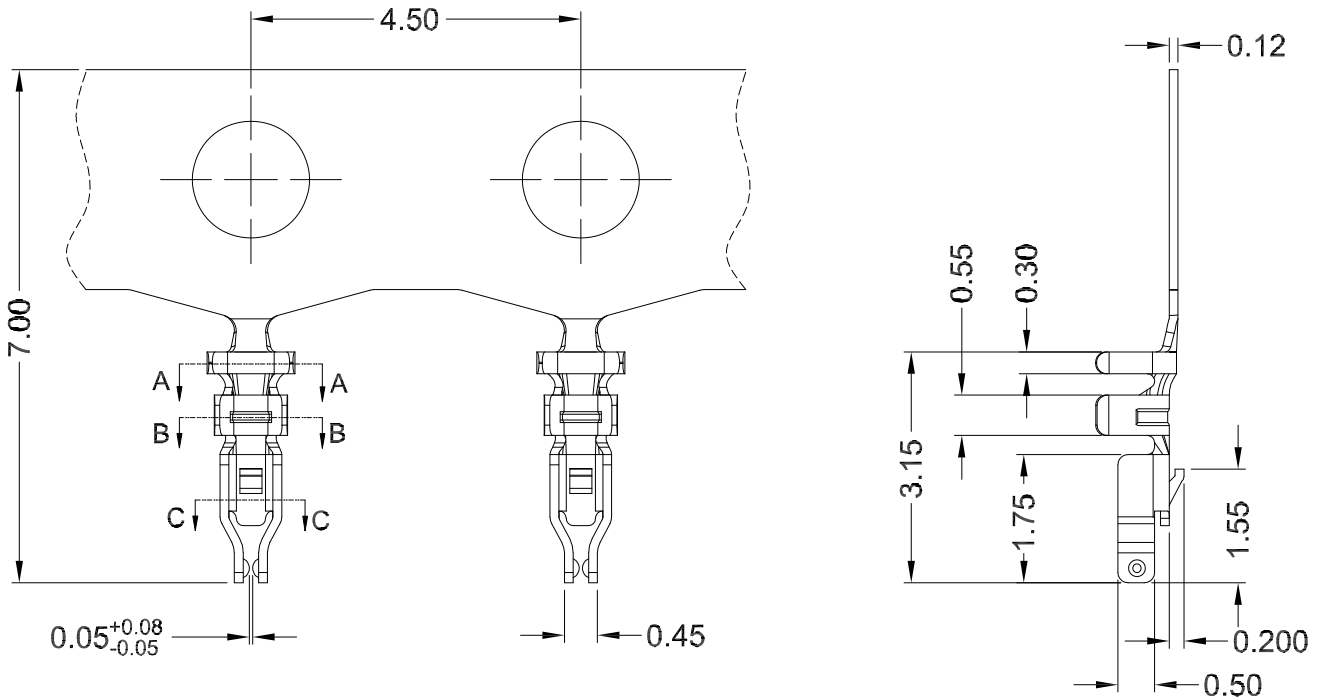


仅供参考

REV.	REVISION RECORD	DATE
A0	新图面发行	2017.06.16

Specifications:

Contact resistance: $\leq 20m\Omega$
 Insulation resistance: $\geq 100M\Omega$
 Rated voltage: 50V AC DC
 Rated current: 2.0A AC DC
 Withstand Voltage: 500V AC/minute
 Temperature Range: $-25^{\circ}C \sim +85^{\circ}C$



SECTION A-A
SCALE 1:1

SECTION B-B
SCALE 1:1

SECTION C-C
SCALE 1:1

Wire Range	Insulation O. D.	Material	Finish	Qty/Reel
AWG #28~#30	0.70mm (MAX)	Phosphor bronze	Gold Flash	/

	GENERAL TOLERANCES		SCALE: 1:1	NAME	DATE	深圳市思拓展电子有限公司 SHENZHEN SINOTOP ELECTRONICS CO., LTD 公司网址: www.szstuo.cn 公司电话: 0755-23765350 邮箱: 2850175982@qq.com 公司传真: 0755-23765341	PART. NO: ST-WF-120-001T	
	LINEAR	ANGLES					APPROVED	DWG. NO:
UNIT: MM	0.0 ± 0.30	X° REF ± 6°	DESIGNER	TITLE: 1. 2mm PITCH TERMINAL		REV: A0	SHEET: 1/1	
SIZE: A4	0.000 ± 0.10	X° X' ± 2°	DRAWN	肖坤权	2017.06.16			